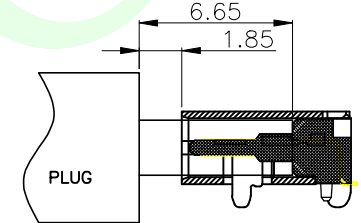
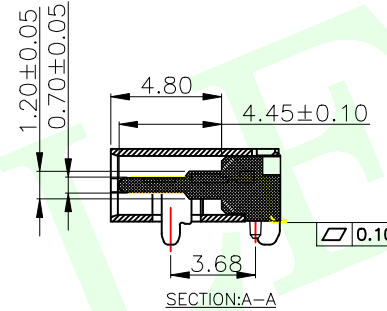
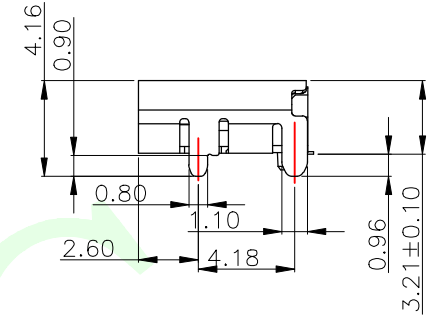
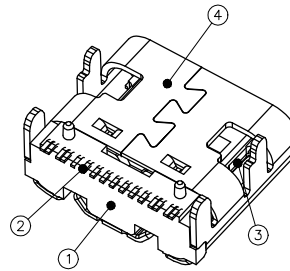
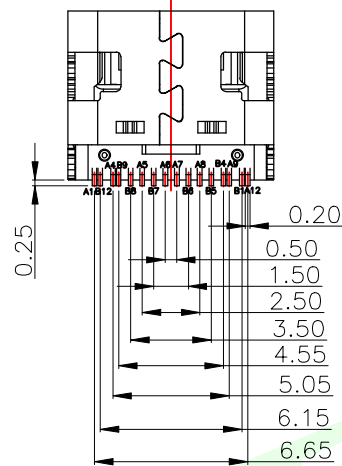
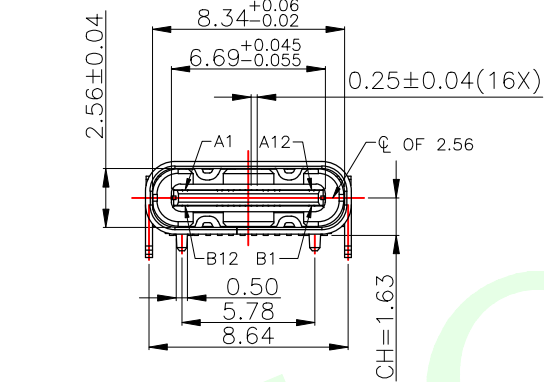
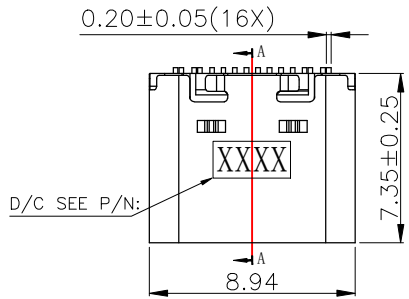


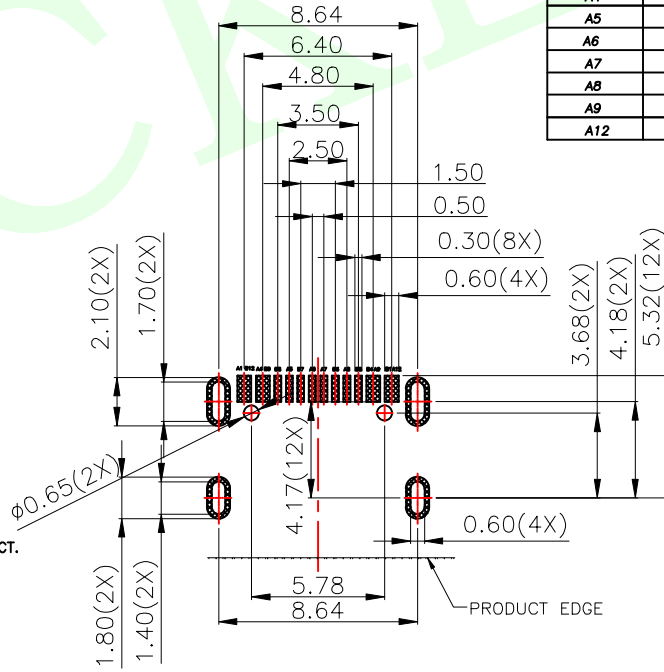
RoHS Compliant



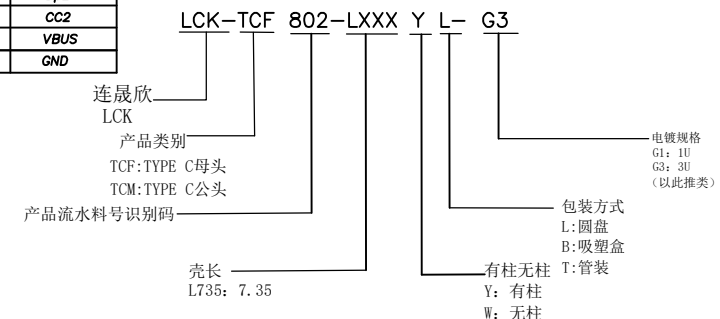
USB TYPE-C PIN ASSIGNMENTS

PIN NUMBER	SIGNAL NAME	PIN NUMBER	SIGNAL NAME
A1	GND	B12	GND
A4	VBUS	B9	VBUS
A5	CC1	B8	SBU2
A6	Dp1	B7	Dn2
A7	Dn1	B6	Dp2
A8	SBU1	B5	CC2
A9	VBUS	B4	VBUS
A12	GND	B1	GND

- NOTE:
- MATERIAL SPECIFICATION:
    - HOUSING: HIGH PA9T, UL94 V-0.
    - Terminal: Contact point gold-plated 3U "MIN
    - TERMINAL: COPPER ALLOY(C1815)
    - MID PLATE: STAINLESS STEEL(SUS301)
    - FRONT SHELL: STAINLESS STEEL(SUS304)
  - PLATING SPECIFICATION:
    - TERMINAL:
      - Ni 50u" MIN. UNDER PLATED OVER ALL.
      - Au PLATED ON THE FUNCTIONAL AREA OF CONTACT. (GOLD PLATING THICKNESS FOLLOW THE P/N)
    - FRONT SHELL:
      - Ni 30u" MIN. UNDER PLATED OVER ALL.
    - MID PLATE PLATE:
      - CLEAR ONLY
  - MECHANICAL PERFORMANCE,
    - INSERTION FORCE: 0.5~2.0kgf.
    - REMOVAL FORCE: 0.8kgf~2.0kgf.
    - DURABILITY: 10000 CYCLES.
  - ELECTRICAL PERFORMANCE,
    - VOLTAGE RATING: 5 V DC/AC (RMS. max)  
CURRENT RATING: 5 AMPS. FOR TOTAL VBUS/GND PINS;  
1.25AMPS FOR CC PIN, 0.25 AMPS. FOR ALL OTHER CONTACT.
    - LLCR:
      - VBUS & GND PINS AND OTHER PINS: 40ma/PIN MAX.
      - LLCR MAX. CHANGE OF ALL PINS: 10ma.
    - INSULATION RESISTANCE: 100MΩ MIN
    - DIELECTRIC WITHSTAND VOLTAGE: AC 100V FOR 1 MINUTE.
  - ENVIRONMENTAL PERFORMANCE:
    - OPERATING TEMPERATURE: -25°C~+85°C.
  - IR REFLOW:
    - THE PEAK TEMPERATURE ON THE BOARD SHALL BE MAINTAINED FOR 10 SECONDS AT 260°C.



RECOMMENDED PCB LAYOUT (TOP VIEW)  
THICKNESS 0.80MM; DEFAULT TOLERANCE: ±0.05



MEASURE POINT	GP
QUADRANT POINT	QP
TANGENCY POINT	TP
INTERSECTION POINT	IP
UNLESS OTHERWISE SPECIFIED, TOLERANCE:	
X.	±0.25
X.x	±0.20
X.xx	±0.15
ANGULAR	±3°

**联晟欣连接器 (深圳) 有限公司**  
 Lianshengxin Connector (Shenzhen) Co., Ltd

DESIGN	Andy	DATE	2014.12.24	TITLE:	USB TYPE C 16PIN 卧式L=7.35
CHECKED		DATE		四脚插 WITH POST	
APPROVED		DATE			
PART NO:	LCK-TCF802-LXXX-G3	REV:	04	SCALE:	1:1
DRAWING NO:	102022107XS	SIZE:	A4	SHEET:	1/1
			UNIT:	mm	